



MEGADYNE



**MEGALINEAR
LIVE ROLLER
BELT - MLRE**

AM-EN

PRODUCT
BROCHURE

MEGALINEAR MLRE-45

MEGALINEAR LIVE ROLLER END-USER 45MM
THE NEW MEGADYNE PERFORMANCE BELT
DESIGNED TO MEET THE NEEDS OF LIVE
ROLLERS IN AUTOMATED WAREHOUSE
SYSTEMS.

In the realm of modern intralogistics, power transmission belt systems must meet rigorous criteria: reliability, durability, and efficiency. Critical to live roller belt performance is its interaction with transfer rollers. The belt must exhibit flexibility while minimizing friction on metal rollers. This flexibility ensures smooth navigation through the twists and turns of the roller conveyors. The choice of belt material and design is crucial for achieving a balance—providing robust friction on metal rollers for secure item transfer and low friction on idlers to minimize energy consumption.

A well-engineered belt, adept at enduring bending cycles, modulating friction, and conserving energy, becomes integral to the reliability, durability, and efficiency of the entire intralogistics operation. Typically delivered in open-end rolls, these belts require on-site customization by warehouse maintenance teams to fit the application.

MEGADYNE MLRE-45

Megadyne introduces **MEGALINEAR MLRE-45**: a durable, reliable and engineered belt designed for end-user intralogistics warehouse applications.

STRUCTURE

MEGALINEAR MLRE-45 is manufactured from polyurethane 85 ShA, in standard yellow with black anti-static fabric on the bottom.

Features:

- high strength aramid tensile members
- yellow finish for easy wear detection
- high friction surface
- black anti-static fabric to reduce dust abrasion and lower friction

Characteristics:

Standard Width: 45 mm

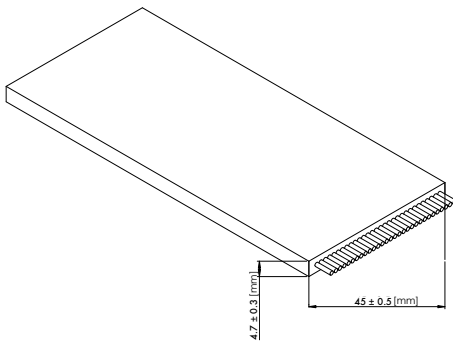
Standard Length: 200 m open-end rolls

Thickness: 4.7 mm

Max traction load: 4,025 N

Breaking strength: 16,100 N

Working temperature: -13 / +176 °F (-25 / +80 °C)



MLRE - 45



MEGALINEAR MLRE-45

MEGALINEAR-45 YELLOW - VALUE AND PERFORMANCE



MATERIAL
HANDLING

ADVANTAGES



PERFORMANCE

- high grip and less slip on the rollers
- anti-static fabric to reduce wear and lower friction
- flexible belt construction
- improved wear and abrasion resistance
- designed to resist ozone and temperature degradation



HIGH EFFICIENCY

- stable tension over time
- smooth running



LESS MAINTENANCE

- easy installation
- fast and easy replacement on site
- easily spliced using common splicing equipment



ENERGY SAVING

- low energy consumption due to high flexibility
- optimized CoF improves energy efficiency

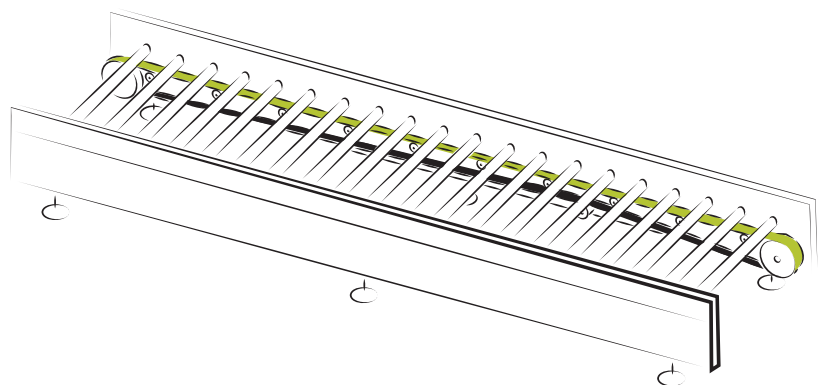


COST SAVING

- easily maintained
- energy efficient design



**Contact us
for more information**



MLRE - 45



Discover Your Local Contact

The local partner of choice
for sustainable power transmission belting solutions
around the globe.



Scan the QR code to
find your local contact.

General Contact Information Megadyne

5 Dedrick Place
West Caldwell, NJ 07006
United States

megadynegroup.com
megadynegroup.com/usa/contact-us



Activities performed and services rendered by a company of the AMMEGA Group are governed by the general terms and conditions of sale and delivery, as applied from time to time by the relevant company of the AMMEGA Group.